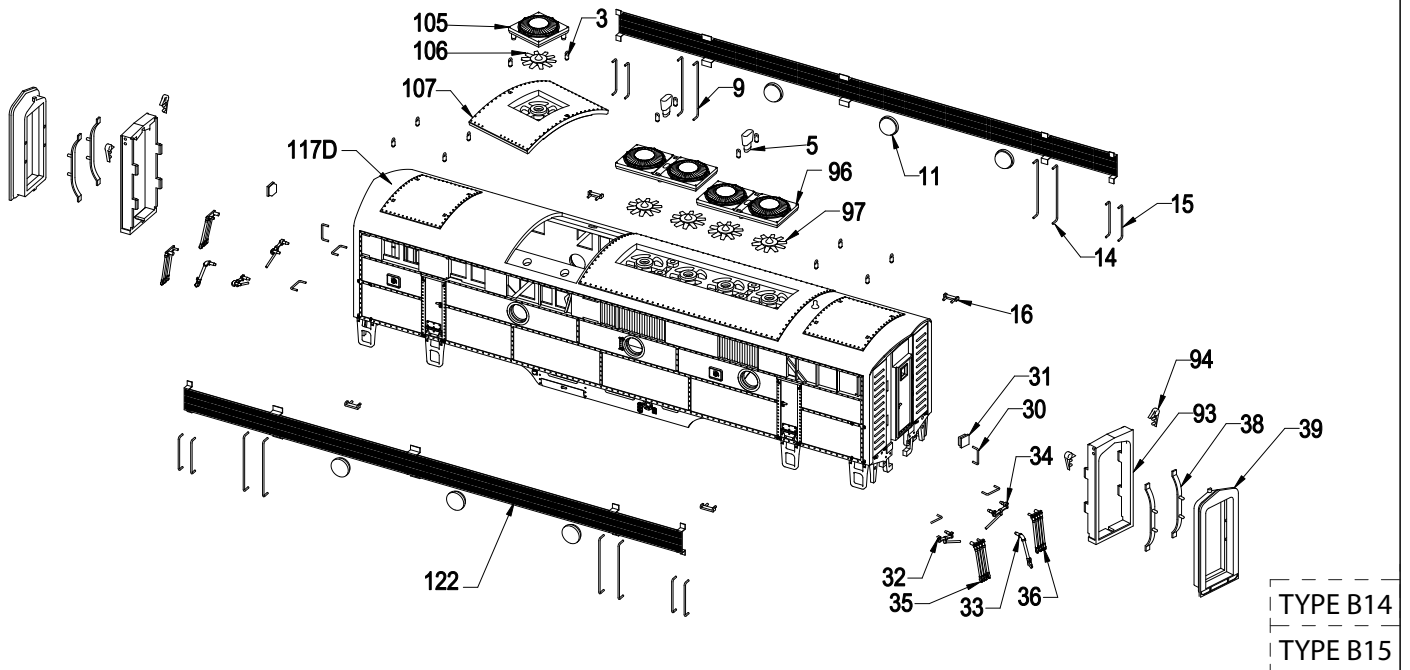
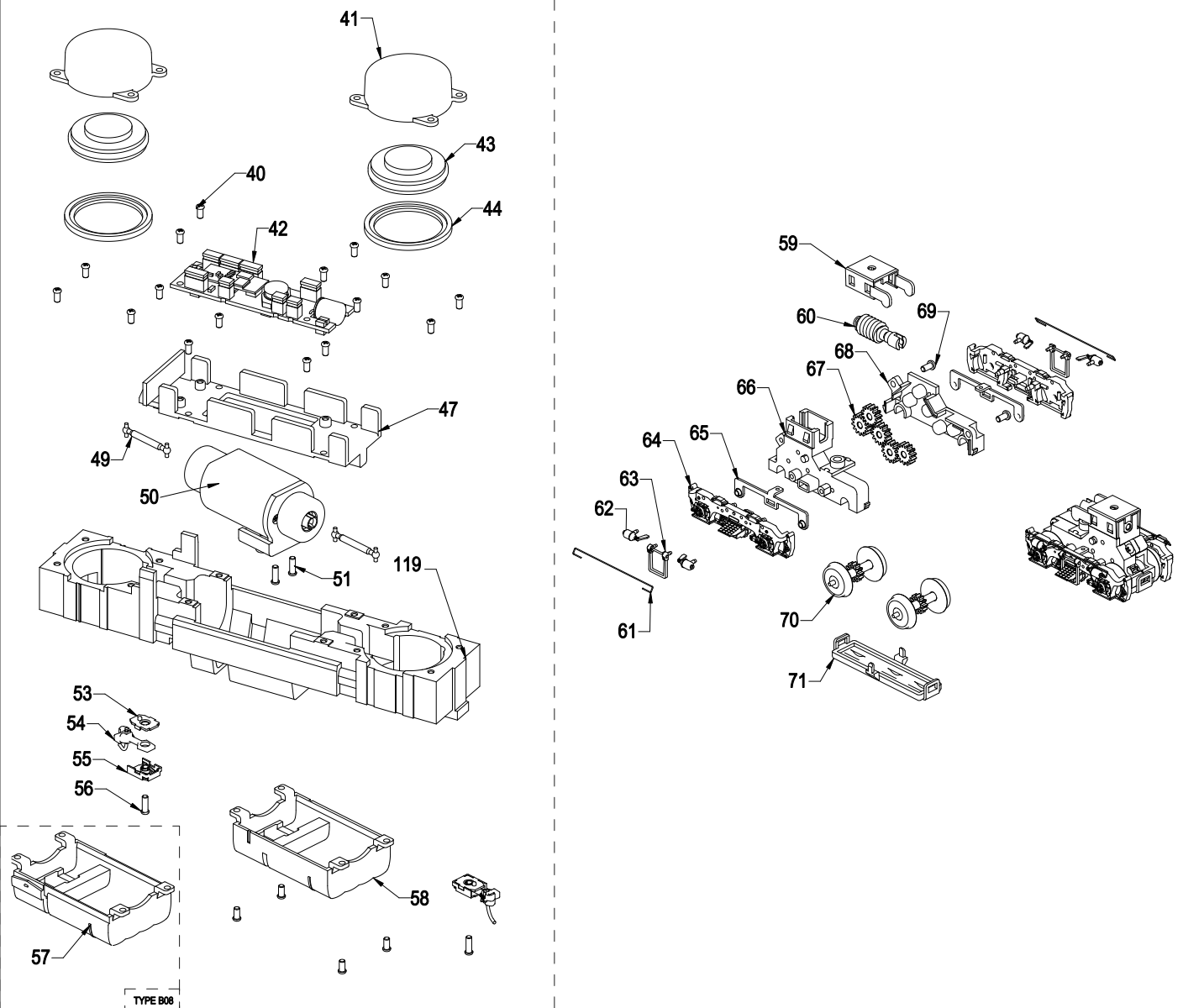


PRR, SP F7 B-unit, HO Scale - Exploded View Diagram



TYPE B14  
TYPE B15



TYPE B08