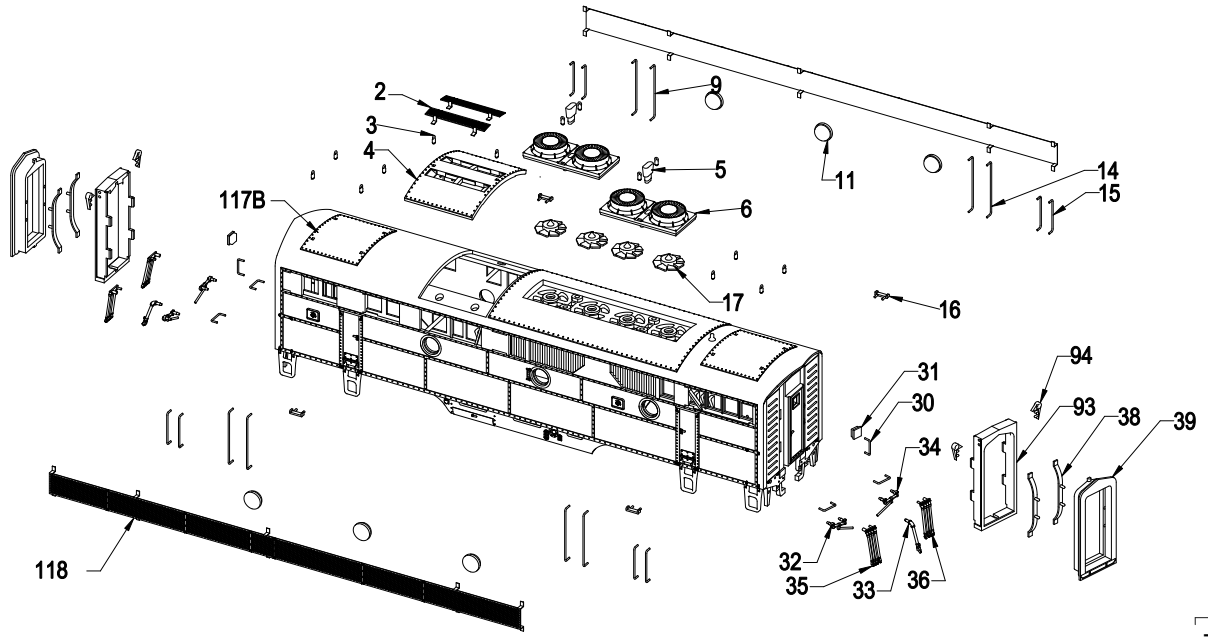
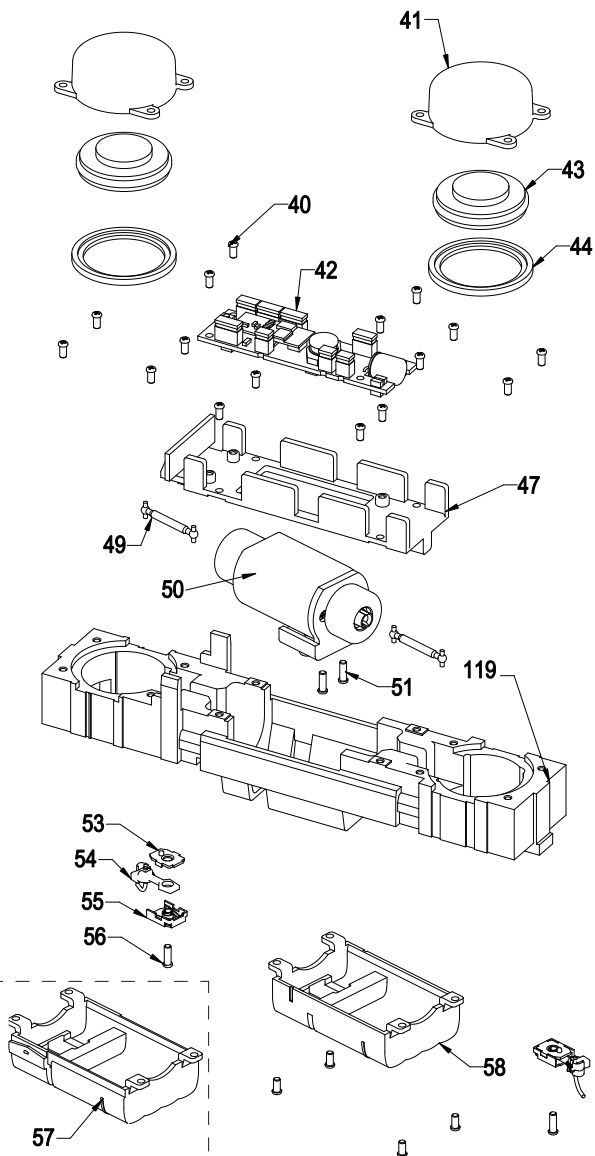


PRR F3 B-unit, HO Scale - Exploded View Diagram



TYPE B04



TYPE B08

