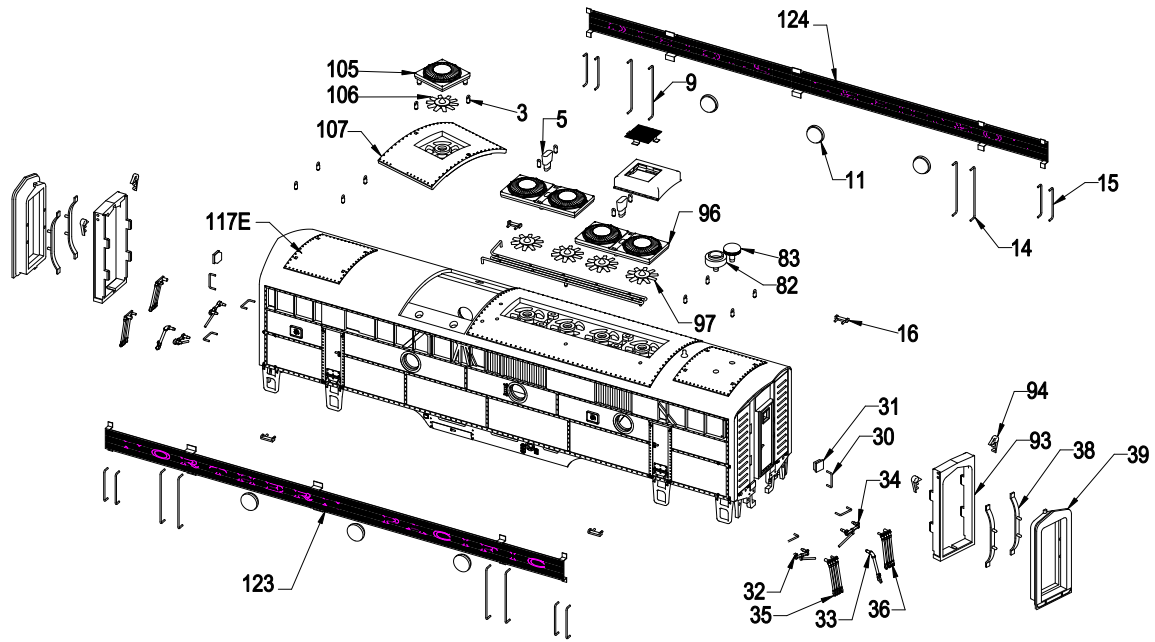
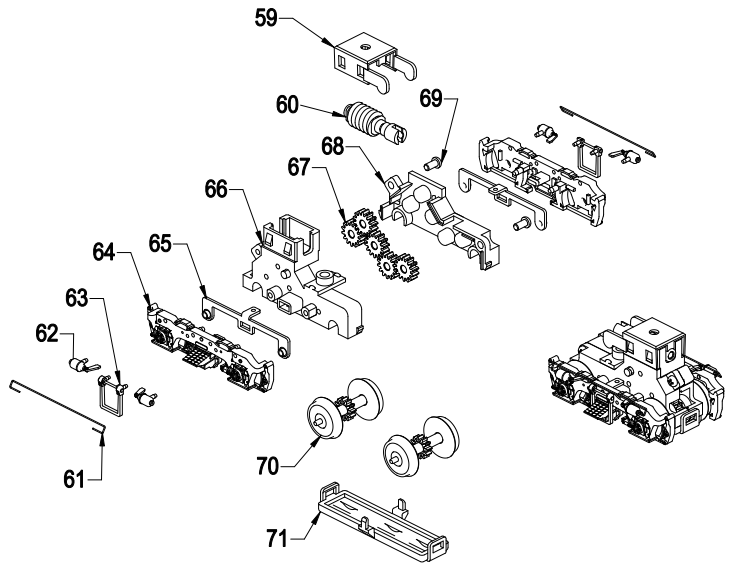
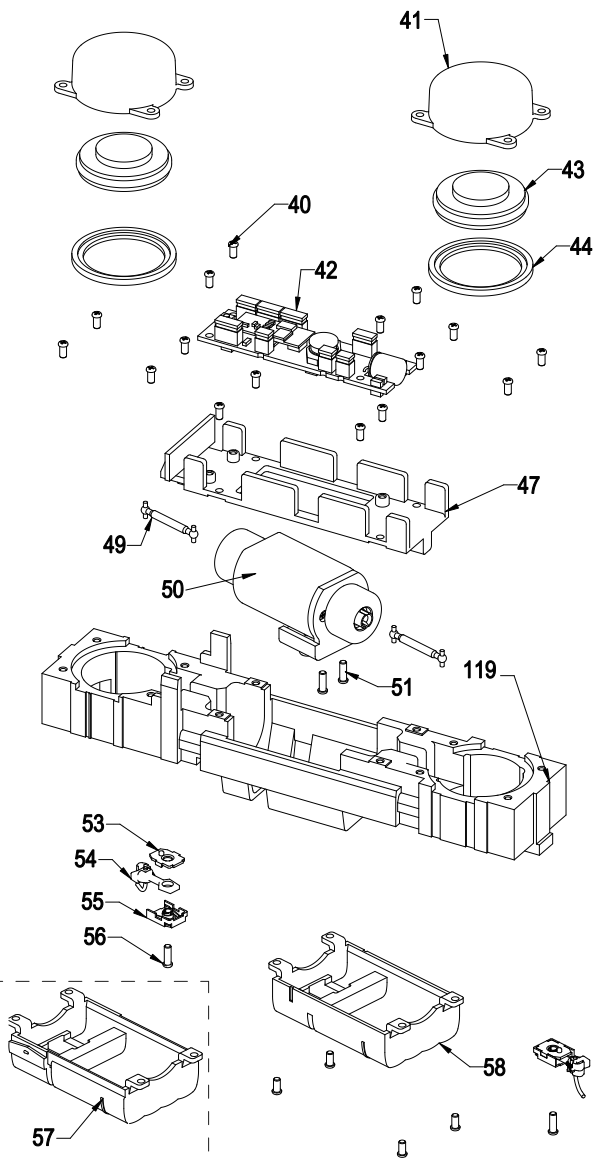


NP F7 B-unit, HO Scale - Exploded View Diagram



TYPE B13



TYPE B08