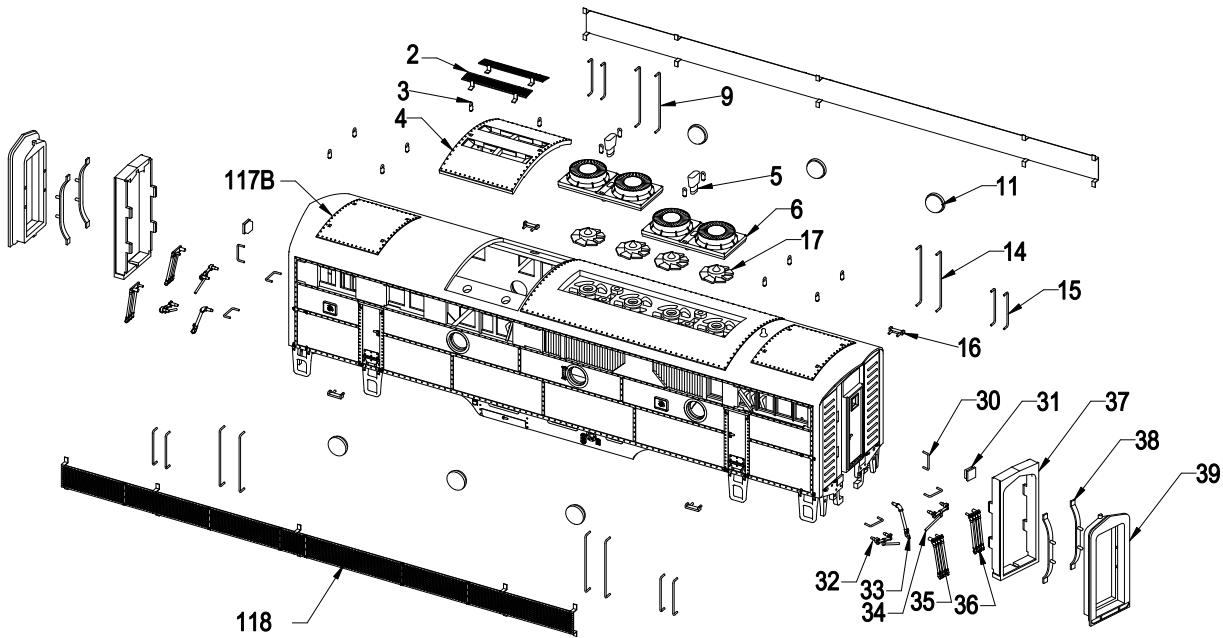
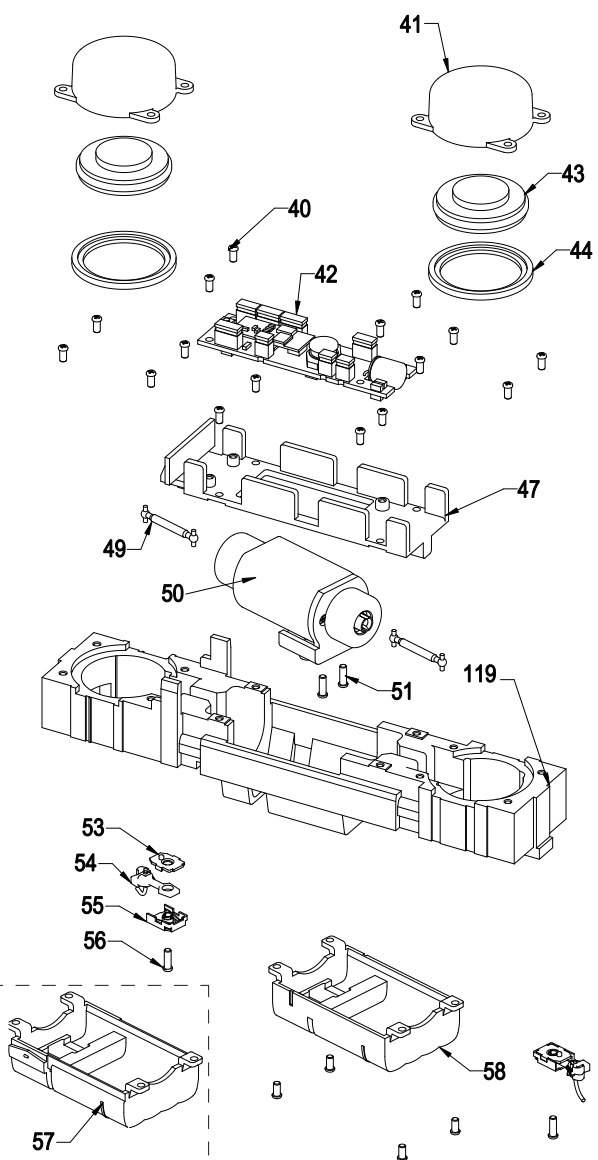


CB&Q, SP, Unpainted F3 B-unit, HO Scale - Exploded View Diagram



- TYPE B02
- TYPE B05
- TYPE B07



TYPE B08

